

BUTTERFLY VALVES

Butterfly valves

ITEM 270,474 - Butterfly valve “metal-metal” to be inserted between flanges, “Wafer” type

[features](#)

[materials table](#)

[valve codes free shaft](#)

[drives](#)



Features

Standard executions:

Valve type 270: body and butterfly in cast iron.

Valve type 474: body and butterfly in AISI 316.

Available range: from DA 40 to DN 200

PN10 - PN16 - ANSI 150

Standard flanges: PN10 - PN16 - ANSI 150

Face to face as per ISO 5752.

Head valve as per ISO 5211.

The metal-metal valve is suitable for fluids at working temperature from -50°C to +100°C.

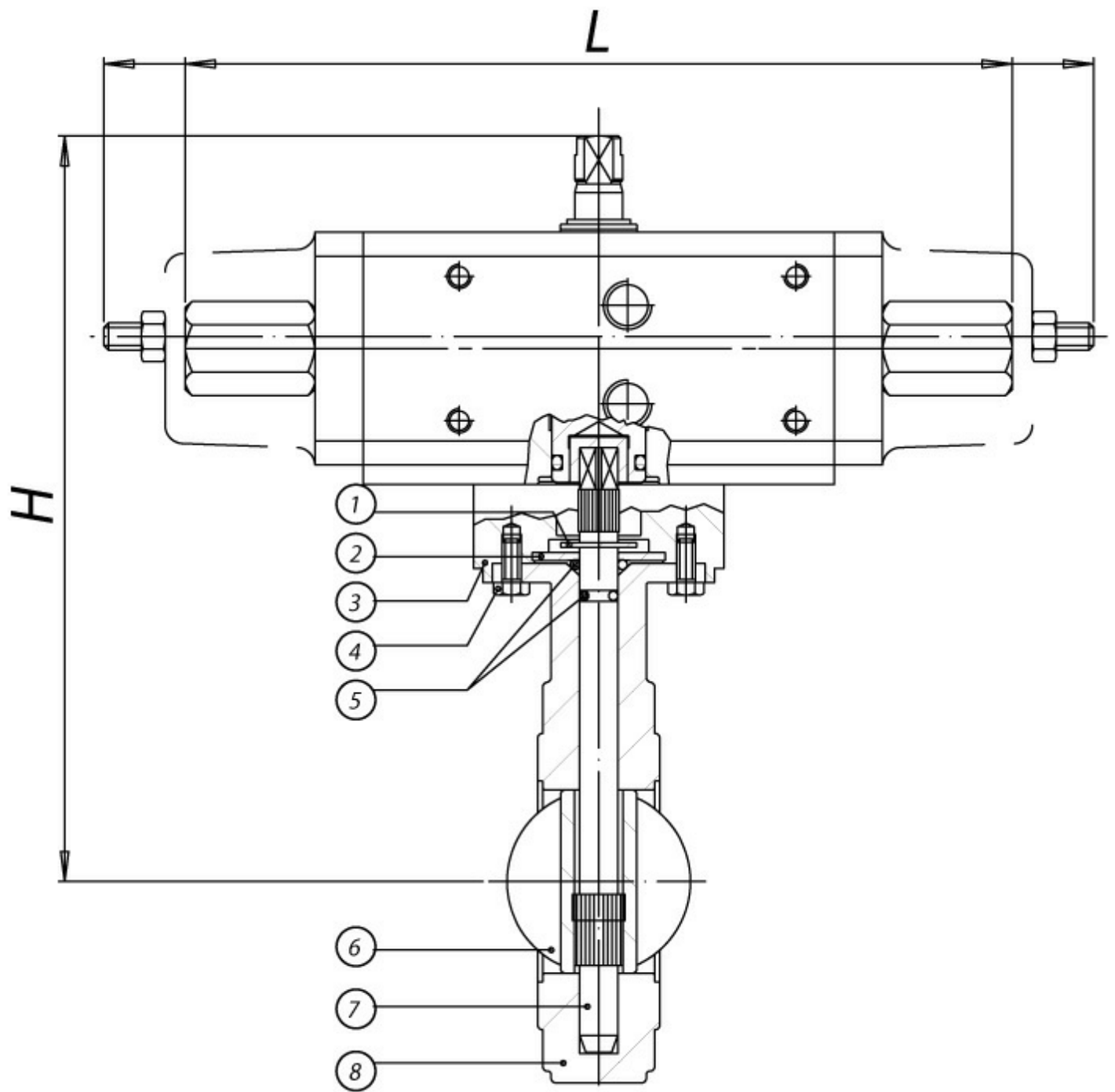
Working pressure: PN 16 bar for DN 40÷200

On request:

Models from DN 40 to DN 400 with working temperature from -50°C to +500°C, are available on request.

For further information, please contact our technical offices.

Materials table



MATERIALS TABLE

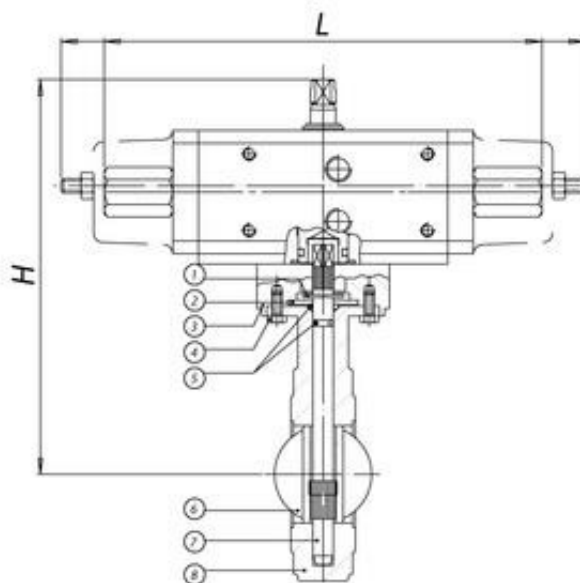
1) Safety elastic ring	Nickel-plated steel
2) Washer	Nickel-plated steel
3) Adapter	Painted aluminium
4) Screws	Nickel-plated steel
5) O-ring	FKM
6) Butterfly	Spheroidal cast iron GGG50 - AISI 316
7) Driving shaft	AISI 420 - AISI 303
8) Body	Spheroidal cast iron GGG50 - AISI 316

valve codes free shaft

valve codes in standard execution								
Size	DN 40 1"1/2	DN 50 2"	DN 65 2"1/2	DN 80 3"	DN 100 4"	DN 125 5"	DN 150 6"	DN 200 8"
Free shaft 270	V270XM68	V270XM69	V270XM70	V270XM71	V270XM72	V270XM73	V270XM74	V270XM75
Free shaft 474	V474XM68	V474XM69	V474XM70	V474XM71	V474XM72	V474XM73	V474XM74	V474XM75
weight Kg.	2,7	4,2	5,2	5,8	7,3	8,9	9,9	16
with lever 270	V270LM68	V270LM69	V270LM70	V270LM71	V270LM72	V270LM73	V270LM74	V270LM75
with lever 474	V474LM68	V474LM69	V474LM70	V474LM71	V474LM72	V474LM73	V474LM74	V474LM75
weight	3	4,5	5,5	6,3	7,8	9,4	10,4	19,9
with gear box 270	V270RM68	V270RM69	V270RM70	V270RM71	V270RM72	V270RM73	V270RM74	V270RM75
with gear box 474	V474RM68	V474RM69	V474RM70	V474RM71	V474RM72	V474RM73	V474RM74	V474RM75
weight Kg.	3,2	4,7	5,7	6,6	8,1	9,7	10,7	20,3



Drives - DOUBLE ACTING PNEUMATIC ACTUATOR



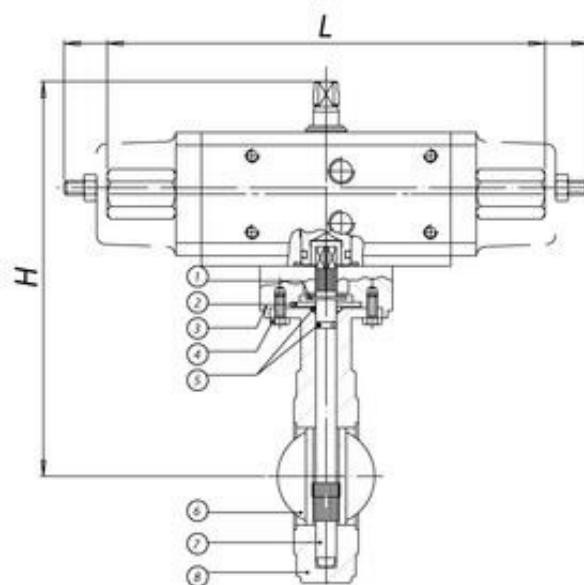
MODEL	ACTUATOR	MOUNTING KIT	DN MM	"	L MM	H MM	WEIGHT KG
D*XM68	DA015411S	KCF032498	40	1"1/2	152	263	3,5
D*XM69	DA015411S	KCF032498	50	2"	152	278	5
D*XM70	DA015411S	KCF030923	65	2"1/2	152	283	6
D*XM71	DA030411S	KCF030883	80	3"	168	299	6,8
D*XM72	DA030411S	KCF030883	100	4"	168	317	8,3
D*XM73	DA030411S	KCF030920	125	5"	168	336	9,9
D*XM74	DA030411S	KCF030920	150	6"	168	345	10,9
D*XM75	DA060412S	KCF042581	200	8"	190	395	17,7

* 270 CAST IRON VALVE; 474 AISI 316 VALVE

The sizing of pneumatic actuators has been done considering a minimum supply pressure of 5,6 barg.



Drives - SPRING RETURN PNEUMATIC ACTUATOR



MODEL	ACTUATOR	MOUNTING KIT	DN MM	"	L MM	H MM	WEIGHT KG
S*XM68	SR015401S	KCF032498	40	40	221	243	4
S*XM69	SR015401S	KCF032498	50	50	221	259	5,5
S*XM70	SR015401S	KCF030923	65	65	221	265	6,5
S*XM71	SR030402S	KCF042579	80	80	240	268	6,8
S*XM72	SR030402S	KCF042579	100	100	240	288	9,3
S*XM73	SR030402S	KCF042580	125	125	240	322	10,8
S*XM74	SR030402S	KCF042580	150	150	240	332	11,8
S*XM75	SR060401S	KCF050925	200	200	320	398	19,6

* 270 CAST IRON VALVE; 474 AISI 316 VALVE

The sizing of pneumatic actuators has been done considering a minimum supply pressure of 5,6 barg.