

HC6 miniBOOSTER



HC6: 9

P_{IN} : 20 - 200 ()
 P_H : 800 ()
 P_{RETURN} () : , ()
 $P_H = (P_{IN} - P_{RETURN}) i$ ()

A =
 B =
 G =

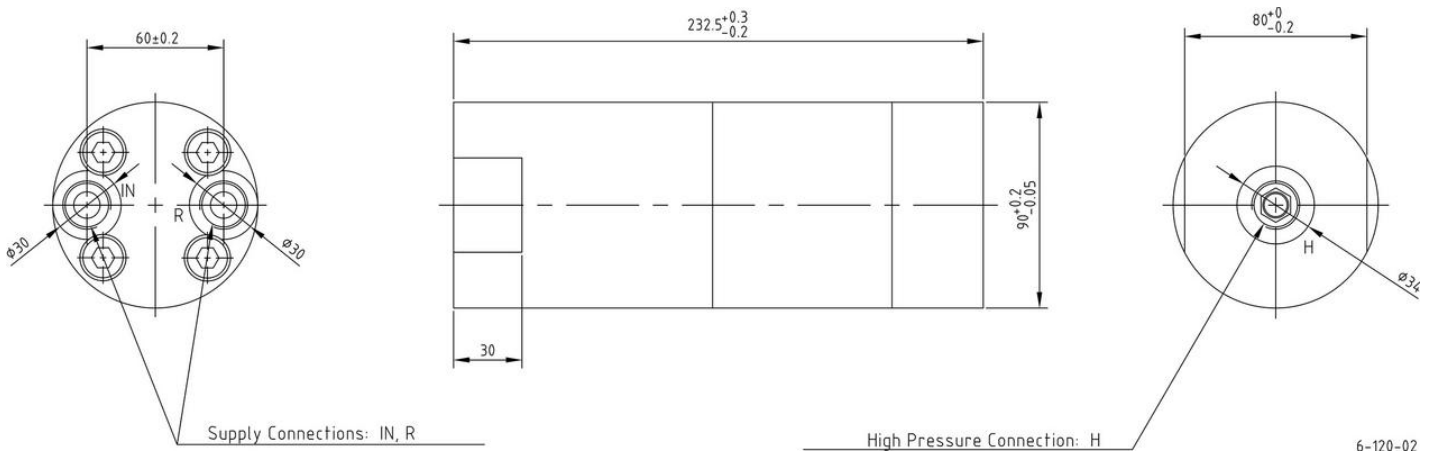
HC6 —
miniBOOSTER, HC6

(13,0 /)

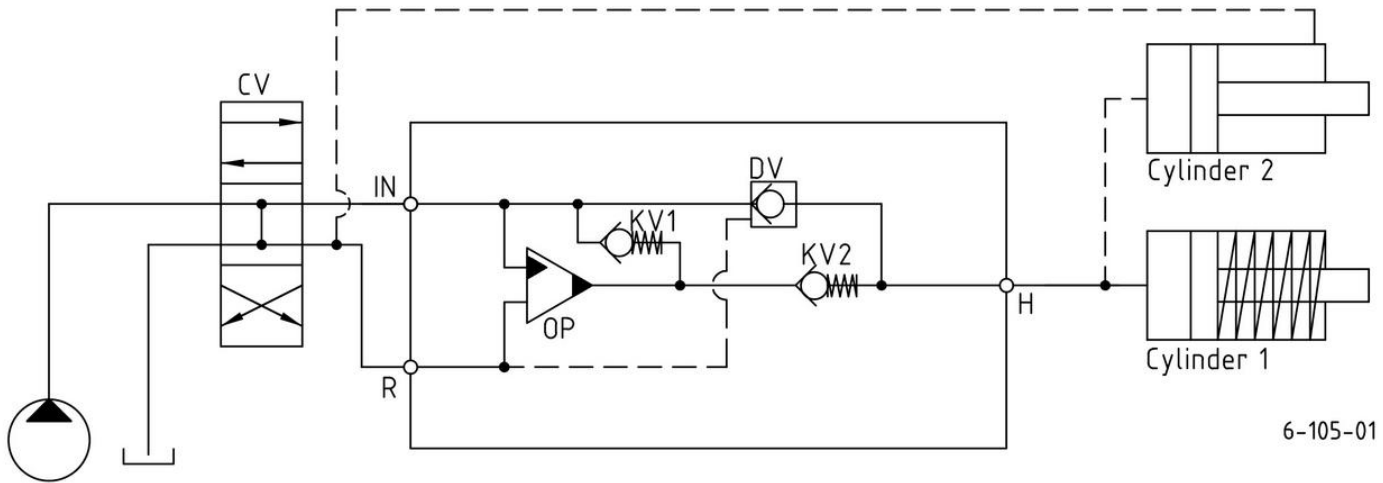
HC6

9,5

i	/	/
1,3	3,1	50,0
1,5	2,5	50,0
1,9	2,0	50,0
2,5	13,0	70,0
3,3	11,0	70,0
4,0	9,0	70,0
4,9	7,0	70,0
6,3	5,5	70,0
8,2	4,5	70,0



IN, KV1, KV2 DV H. CV
 H. OP. H, KV1, KV2 DV
 OP.



6-105-01

	IN / R	H
1	1/2" BSPP	1/2" BSPP
2	3/4-16" UNF	3/4-16" UNF

BSPP

	IN / R	H
	1/2" BSPP	1/2" BSPP
	13,0 10/	13,0 10/
	7,0 10/	-
	13,0 10/	13,0 10/

TTNF

	IN / R	H
	3/4-16" UNF	3/4-16" UNF
	3,5 10/	6,0 10/



HC6

HC6	i = 4,0,	DV	BSPP: HC6 - 4,0 - B - 1
	, i		
HC6
		A = () / A	1
		B = () / B	2
		G = () / G	

