

# HC7W miniBOOSTER



**HC7W: 5**

**P<sub>IN</sub>**: 20 - 200 ( )

**P<sub>H</sub>**: 2,000 bar maximum for media > 5 cSt (mm<sup>2</sup>/s)

**P<sub>H</sub>**: 1,000 bar maximum for media < 5 cSt (mm<sup>2</sup>/s)

**P<sub>RETURN</sub>** ( ) ; ( )

$$: P_H = (P_{IN} - P_{Return}) i ( )$$

:

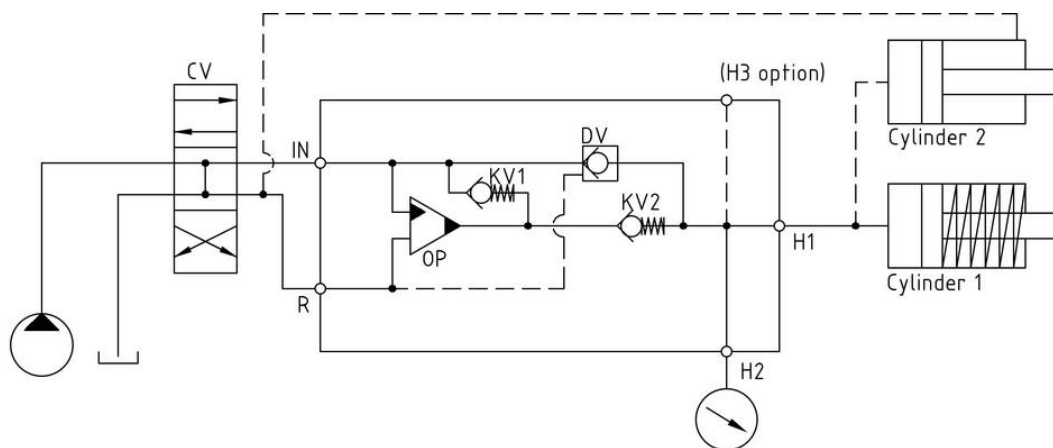
:

**A =**  
**B =**  
**G =**

HC7W	( )	2000	1,5
HC7W	M22x1,5	HP	:

i	/	/
5,0	1,6	14,0
6,6	1,3	13,0
9,0	0,9	13,0
13,0	0,6	12,0
20,0	0,3	12,0

IN, KV1, KV2 DV H. CV  
 H. OP. H, KV1, KV2 DV  
 OP.



7-105-00

### Dimensions

Dimension drawing 7W-120-01

IN / R	
1	1/4" BSPP
2	7/16-20" UNF

### BSPP

IN / R	
	1/4" BSPP
	4,0 10/
	3,0 10/
	4,0 10/

### TTNF

IN / R	
	7/16-20" UNF
	2,0 10/

### High- pressure adapters

High- pressure adapter ordering codes and specifications are shown in the PDF- file below:

High- pressure adapters: 7W-900-06

# HC7W

HC7W DV  $i = 13,0, H1 M22 \times 1,5 H2 19/16-18 UNF,$   
 BSPP:  
 HC7W - 13,0 - B - 12  $< 5 \left( \frac{2}{1} \right)$   
 HC7W - 13,0 - B - 12S  $> 5 \left( \frac{2}{1} \right)$

!

, i

HC7W	...	...	...
		$A = ( ) /$ $B = ( ) /$ $G = ( ) /$	A B G

	IN, R	H1	H2	H3
HC7W- ___- ___-11	1/4" BSPP	M22 x 1,5	-	-
HC7W- ___- ___-21	7/16-20 UNF	M22 x 1,5	-	-
HC7W- ___- ___-12	1/4" BSPP	M22 x 1,5	9/16-18 UNF	-
HC7W- ___- ___-22	7/16-20 UNF	M22 x 1,5	9/16-18 UNF	-
HC7W- ___- ___-13	1/4" BSPP	M22 x 1,5	9/16-18 UNF	9/16-18 UNF
HC7W- ___- ___-23	7/16-20 UNF	M22 x 1,5	9/16-18 UNF	9/16-18 UNF